



# Field Commander™

## UUC Thermostat

### Overview

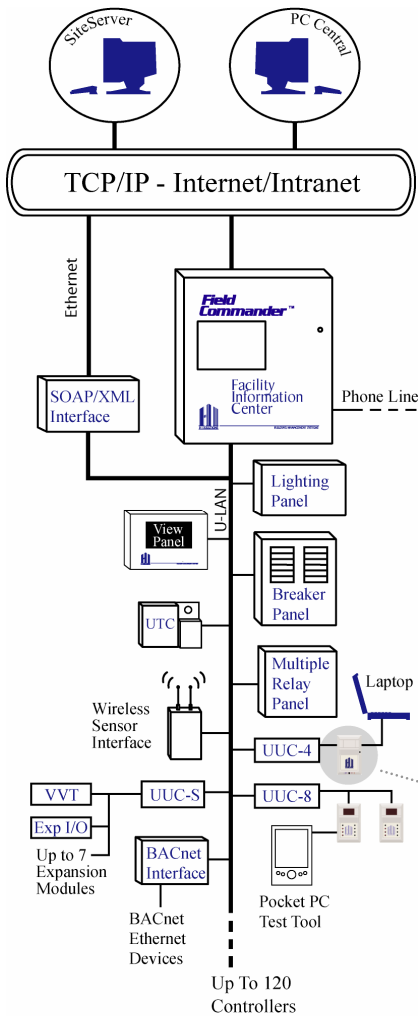
The UUC-T Series Thermostat is used with the H I Solutions Universal Unitary Controller (UUC) to provide space temperature sensing, local override with LED indication, setpoint adjustment, and unitary LAN access. The UUC-T is available in several configurations.

The basic model provides a voltage source output controlled by a standard thermistor temperature sensor. The thermostat range is from 36°F to 100°F.

Options include a momentary override pushbutton used to request temporary operation under UUC program control. The override operation is indicated by an LED. Holding the pushbutton down for 5 seconds resets the override.

The setpoint option allows the temperature setpoint to be adjusted within preprogrammed limits. A slide potentiometer is provided to allow local adjustment of the target temperature without reprogramming the setpoint.

The LAN port option allows easy access to the unitary controller LAN network for programming or monitoring LAN activity. Any unitary controller on the LAN can be programmed from any UUC or thermostat on the network. A quick disconnect connector is provided for the portable PC used for programming the UUC.



UUC Thermostat		016-65[XX]
Power Requirements:	15 VDC	
Sensing Element:	Thermistor, 10k ohm at 77°F	
Interface:	0-5V, non-linear	
Wiring:	8-Wire (Typical)	
Mounting:	Wall-mount	
Dimensions:	2 3/4" x 4 1/2" x 7/8"	
<b>Configurations:</b>		
<b>UUC-T-1</b>	<b>016-6564</b>	Basic unit with LAN port
<b>UUC-T-2</b>	<b>016-6565</b>	Basic unit with LAN port and local override option
<b>UUC-T-3</b>	<b>016-6555</b>	Basic unit with LAN port, local override, and setpoint adjustment

### About H I Solutions

Since 1974 H I Solutions has provided innovative and cost-effective solutions for building management needs with computer-based automation systems for industrial, commercial, office, retail, educational, and healthcare facilities. Our distribution channels include a network of Independent Distributors, OEM, and National Accounts. Headquartered outside Atlanta, Georgia, H I Solutions is committed to offering quality engineering and performance, low overall cost, and unparalleled customer service.

