

# Field Commander™

## Unitary Breaker Board

### Overview

The Unitary Breaker Board is an optional component offering alternative outputs from the standard Unitary Controller.

The Unitary Breaker Board (UBB) is ideally suited for applications demanding a few controllable circuit breakers where a Pow-R-Command smart panel-board is not needed. The UBB provides 4 zones, each having up to 8 circuit breakers, for a total of 32 controllable circuits.

### Application

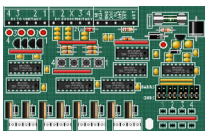
The function of the UBB is to convert the low-voltage, low-current outputs from a unitary controller to high-energy pulses capable of controlling Cutler-Hammer GHBS, GHQRSP, BABRS, and BABRSP circuit breakers. Applications for the UBB are varied and thus left to the specifier. The only limitations are the physical and electrical characteristics of the individual circuits.

For GHBS breakers, up to 1 2-pole or 2 1-pole breakers can be driven per control circuit. For GHQRSP, BABRS, and BABRSP breakers, each control circuit can control one breaker or up to 8 breakers in parallel using the Group Termination Board (GTB). The breaker types can be jumper configured on a per circuit basis. Each control circuit also has a manual control switch and a feedback LED.

### Technical Specifications

#### Unitary Breaker Driver Board (UBB)

016 - 4102



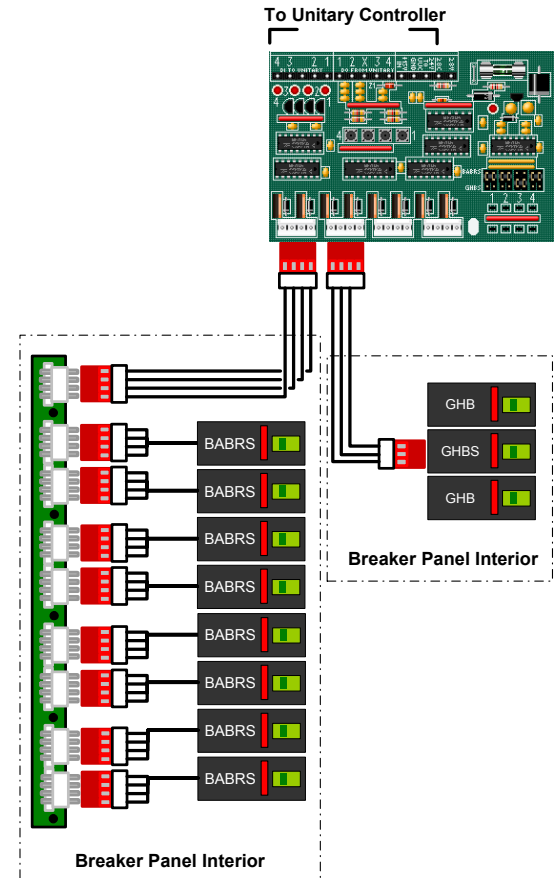
Dimensions: 4 3/4" x 3 1/4"  
 Power: 24VAC  
 Requirements: (28VAC for GHBS)  
 Interface: Discrete Control  
 Mounting: Track-mounted

#### Group Termination Board (GTB)

016 - 4088



Dimensions: 1" x 8"  
 Mounting: Breaker Panel Gutter



### About H I Solutions

Since 1974 H I Solutions has provided innovative and cost-effective solutions for building management needs with computer-based automation systems for industrial, commercial, office, retail, educational, and healthcare facilities. Our distribution channels include a network of Independent Distributors, OEM, and National Accounts. Headquartered outside Atlanta, Georgia, H I Solutions is committed to offering quality engineering & performance, low overall cost, and unparalleled customer service.

