



**Low Voltage Switch  
with Wallplate**

## Pow-R-Command Low Voltage Switch



**Low Voltage Switch  
Side View**



**Low Voltage Switch  
Back View**

The Pow-R-Command™ Low Voltage Switch (PRCLS) is a momentary dry contact switch that is used for inputs into the Pow-R-Command lighting control system panelboard controller as shown in Figure 1.

This simple switch does not need a power supply; it is connected directly between the digital or universal inputs and common inputs of the PRC controller. This provides the ability to have up to six switches in one switch location.

Low voltage switch available options:

- 2-, 4-, and 6-button configurations
- Three color options: white, black, and almond
- Fits into a standard wall box or mud ring
- Fits standard rocker-style wallplates (Decorator,® Decora,® etc.)

### **Physical**

- Mounts in standard single-gang box spacing

### **Electrical**

- 18 AWG recommended
- Contact pad resistance is 100 ohms

### **Operating environment**

- Designed for indoor environment
- Operating temperature: -10°C to 40°C (14°F to 104°F)
- Relative humidity: 10% to 90% non-condensing
- Atmosphere: non-explosive and non-corrosive
- Vibration: Stationary application—NEMA® Level A



*Powering Business Worldwide*



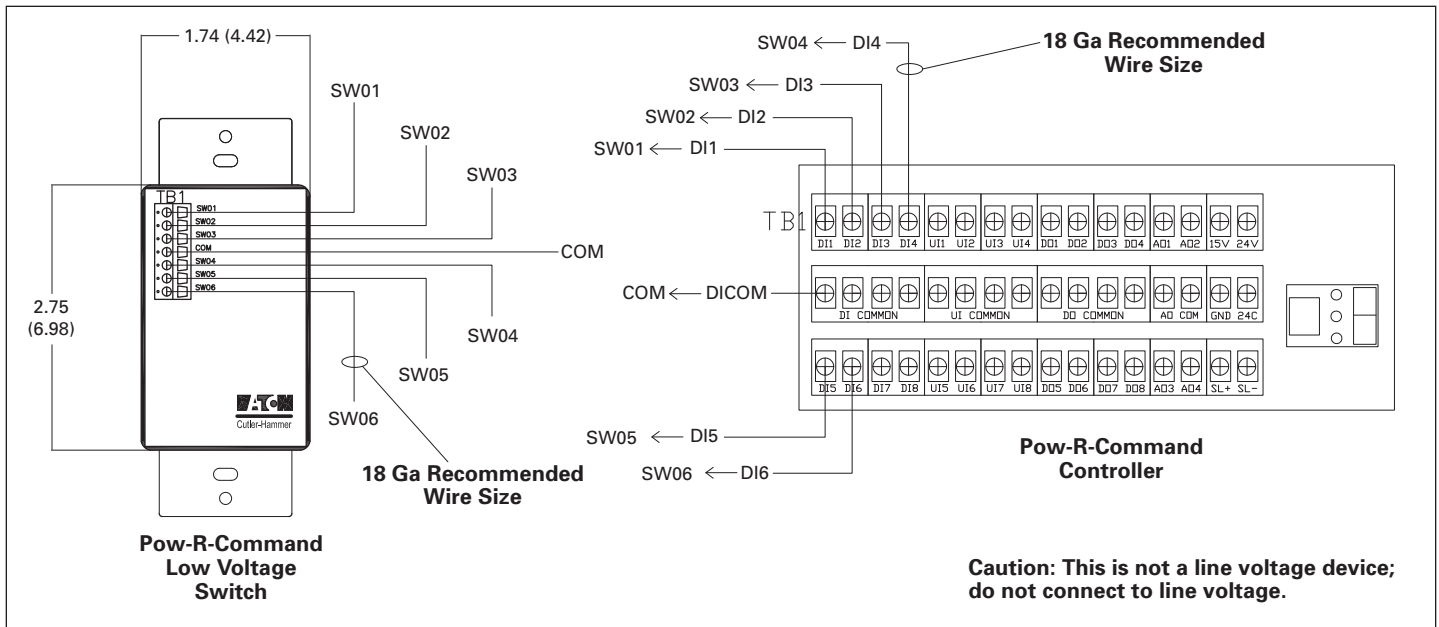
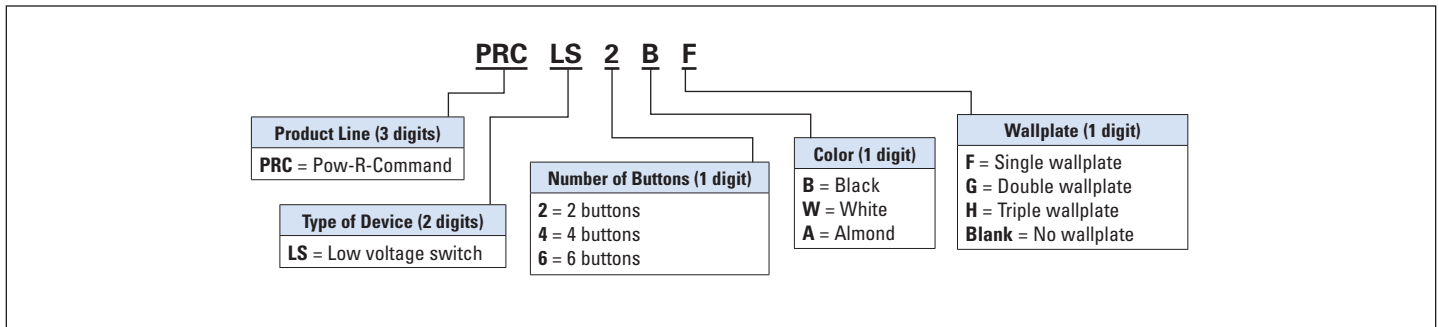


Figure 1. Typical Wiring Diagram

### Catalog Numbering System



### Product Selection

Part Number	No. of Buttons	Color
42C3590G01	2	Black
42C3590G02	2	White
42C3590G03	2	Almond
42C3590G04	4	Black
42C3590G05	4	White
42C3590G06	4	Almond
42C3590G07	6	Black
42C3590G08	6	White
42C3590G09	6	Almond



**Eaton Corporation**  
 Electrical Sector  
 1111 Superior Ave.  
 Cleveland, OH 44114  
 United States  
 877-ETN-CARE (877-386-2273)  
 Eaton.com

© 2010 Eaton Corporation  
 All Rights Reserved  
 Printed in USA  
 Publication No. PA01412014E / Z9918  
 August 2010



PowerChain Management is a registered trademark of Eaton Corporation.

All other trademarks are property of their respective owners.